

Service
Service
Service

FL4.26
AA

Service Manual

Service Manual Chassis FL4.26 AA

This Service Manual contains modified instructions and prints for the FL4.26.
For all remaining information the Service Manual FL2.24/FL2.26/FL4.27AA
should be consulted.

FL2.24/FL2.26/FL4.27 GB	4822 727 20266
FL2.24/FL2.26/FL4.27 NL	4822 727 20267
FL2.24/FL2.26/FL4.27 D	4822 727 20268
FL2.24/FL2.26/FL4.27 F	4822 727 20269
FL2.24/FL2.26/FL4.27 IT	4822 727 20271
FL2.24/FL2.26/FL4.27 ES	4822 727 20272

6. Electrical diagrams and PWB-layouts

Large signal panel

The modifications for the FL4.26 on the large signal panel with respect to the FL4.27 are:

- 2405 becomes 47nF 4822 122 32542
- 3404 becomes 1k8 4822 051 10182

Small signal panel

The modifications for the FL4.26 on the small signal panel with respect to the FL4.27 are:

- 1255 add Euro AV3 Interface 4822 212 31257
- 2111 deleted
- 3130 add 100Ω 4822 051 10101
- 4112 deleted
- 4115 deleted
- 9260, 9270, 9271, 9272 and 9274 deleted
- 9263, 9265, 9268, 9269, 9655, 9716 and 9717 added

Euro AV3 connector panel

- add 4822 212 31256

IR LED panel

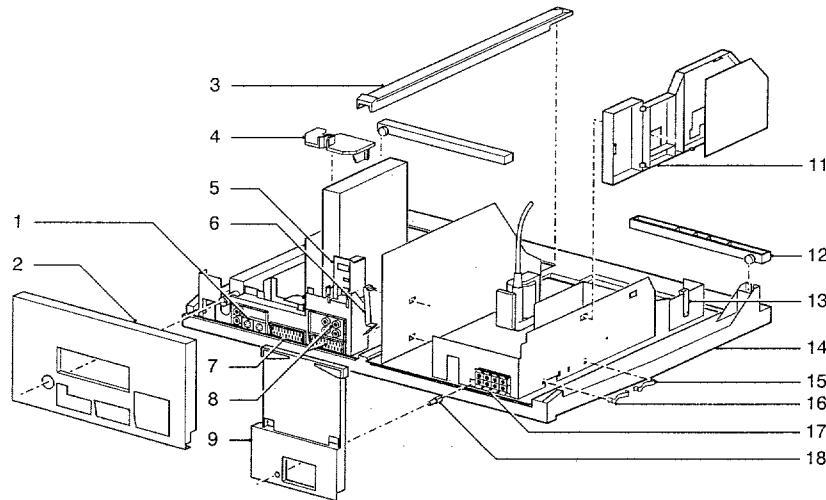
The modifications for the FL4.26 on the IR LED panel with respect to the FL4.27 are:

- 2100 deleted
- 2131 deleted

Mains filter panel

The modifications for the FL4.26 on the mains filter panel with respect to the FL4.27 are:

- 3208 add 4822 116 40253
- Mains filter panel FL4.26 4822 212 31679



CL 36532078/015
130593

Mechanical FL2/4.XX

1	4822 267 41005	Cinch/2 x SVHS connector FL2	13	4822 492 62076	Spring
1	4822 267 20409	Cinch/2 x SVHS connector FL4	14	4822 464 70615	Frame for chassis FL2
2	4822 466 93211	SSP cover FL2	14	4822 464 70639	Frame for chassis FL4
2	4822 466 93231	SSP cover FL4	15	4822 492 70143	Spring
2	4822 432 93309	SSP cover FL4.26	16	4822 492 70788	Spring
3	4822 417 50287	Bracket	17	4822 290 60812	Connector for LS
4	4822 404 31196	Bracket for second tuner PIP	18	4822 410 25036	Mute knob
5	4822 256 91807	Holder for splitter		4822 404 31344	Bracket 3th scart panel
6	4822 492 70789	Spring			
7	4822 267 51058	Euroconnector			
8	4822 267 20427	Euro/4 x cinch connector			
8	4822 267 20411	Euro/2 x SVHS connector FL2			
8	4822 267 20457	Euro/2 x SVHS connector FL4			
9	4822 432 92839	LSP cover FL2.24 CI, Ex			
9	4822 432 92695	LSP cover FL2.26 CI			
9	4822 432 92991	LSP cover FL4			
11	4822 464 70616	Bracket for mains filter FL2.24			
11	4822 464 70638	Bracket for mains filter FL2.26/FL4			
12	4822 462 42016	Service stand			